

Wirelynx Powerline Carrier Systems

Brayden Automation Corp.
6230 Aviation Circle
Loveland, CO 80538
(970)461-9600
www.wirelynx.com

Model LX-1022CM 1 or 2-Channel Receiver - 277VAC with Two 3-Amp Low Power Relay Outputs

The LX-1022CM is designed to operate on a line voltage of 277VAC and can be configured in the 1-channel DPDT mode or the 2-channel 2 SPDT mode.

1. Mount the Wirelynx Model LX-1022CM Powerline Carrier Receiver to an electrical enclosure using the 1/2" chase nipple with the locknut supplied. A 1/2" knockout in the electrical enclosure will allow for direct mounting. Alternately, order the Wirelynx receiver mounting bracket part # 01021-01001A.
2. For 277VAC single-phase configurations, connect the BLACK #18AWG lead to the 277V phase ("hot leg"). Connect the RED and WHITE #18AWG leads to neutral. If neutral is not available, connect to ground. (**Note:** Ground and neutral must be connected together at the breaker panel.) See Figure 1.
3. The LX-1022CM has two single-pole double-throw (1FormC) dry contacts. Connect the first controlled load through the #18AWG BROWN (Common) lead and either the YELLOW(Normally-Open) or the BLUE (Normally Closed) leads of the 3-Amp relay.
4. Connect the second controlled load through the #18AWG VIOLET (Common) lead and either the ORANGE(Normally-Open) or the GRAY(Normally Closed) leads of the 3-Amp relay. The relay contacts have a maximum voltage rating of 250VAC or 28VDC.
5. Before powering the LX-1022BH receiver up, remove the cover and set all of the DIP switches: the # of channels - 1 or 2, the house code - A or B, load number (channel) code, and other appropriate settings. The eight-position dip switch is located in the upper left-hand corner of the board as indicated in Figure 2. The number of channels determines the operational mode of the relays. In 1-channel mode, both relays operate together or with relay #2 timed 1 minute delayed on de-energize. In 2-channel mode, relays operate independently. See Dip Switch definitions on reverse side of this sheet.
6. Set Dip Switch #8 first to define the receiver as a one-channel or two-channel device.
7. Next set the address using the proper table for Dip Switches 1 thru 4 for 1-channel, or 1 thru 3 for 2-channel.
8. Set house code to the same house code as transmitter on Dip Switch #5.
9. Set minimum off-time enable for inductive loads on Dip Switches# 6 and 7. In single channel mode, Dip Switch #7 becomes the enable or disable for the 1-minute Open time delay on relay #2.
10. Turn on power to receiver.
11. The Green LED on the receiver should blink approximately once per second indicating that the receiver is receiving a signal from the transmitter. (Transmitter must be turned on.)
12. When the transmitter sends an "energize" command, the Red LEDs will be lit, indicating that the relay's coil is energized, the normally-open contact is closed and the normally-closed contact is open.
13. Replace cover and tighten screws.

**CAUTION - 277VAC IS PRESENT
ON RECEIVER PC BOARD**

Figure 1

MODEL LX-1022CM WIRING DIAGRAM

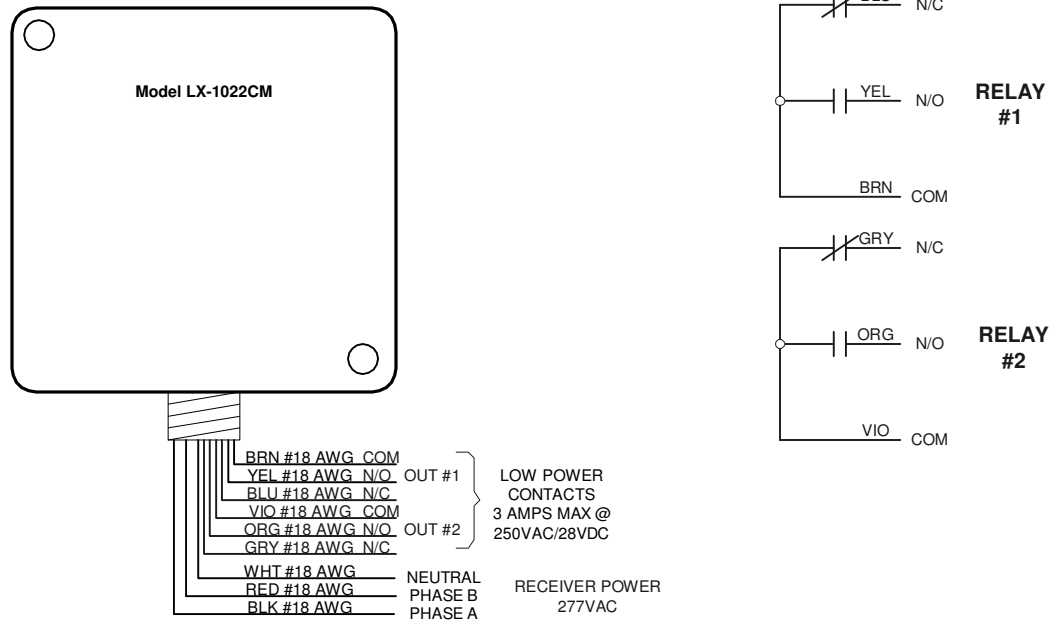


Figure 2

DIP SWITCH SETTINGS FOR LX-1022CM PLC RECEIVERS

